

SEED-ON

Manual single-seed drill for vegetable garden or open field, very easy to use.

The seed plate positioned on the bottom of the seed hopper, is simply operated by lifting and lowering the seed drill with its handle.



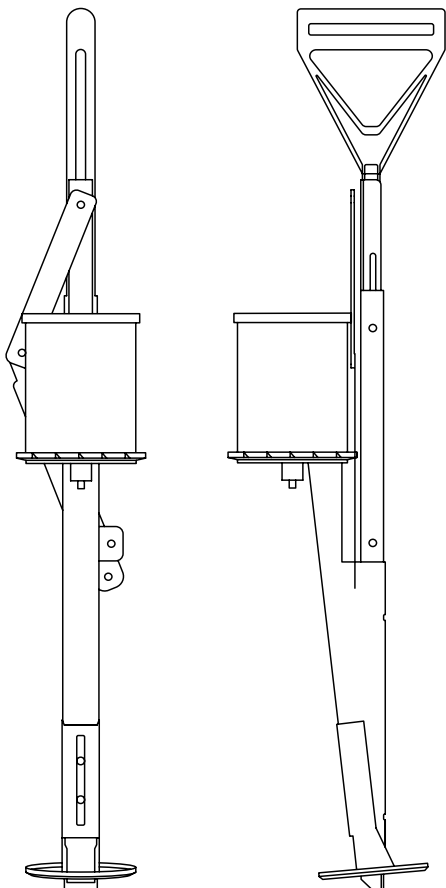
ZIJU

SEED-ON Manual single row planter

Suitable for garden or open field, it replaces "hand planting" and the rudimentary planting tools. Very easy to use (like a stick) and requires no maintenance. Supplied with 6 seed plates with different hole sizes, (plus one "blank" plate, so you can drill your own holes) it can handle various types of seeds.

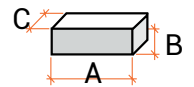
The seed plate, located at the bottom of the seed tank, is advanced while lifting and lowering the seeder with its handle in a "jabbing" action.

The seeder allows you to plant one seed at a time at a defined depth.



Box size

25,9x9,8x5,5-inches



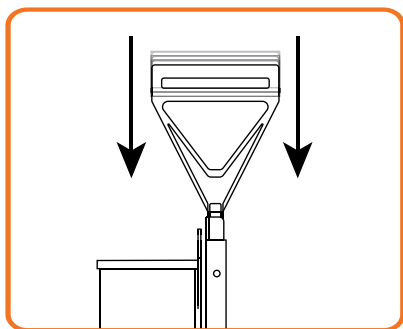
BOX SEED-ON

- SEED-ON manual single planter with ergonomic handle
- Kind of seeding

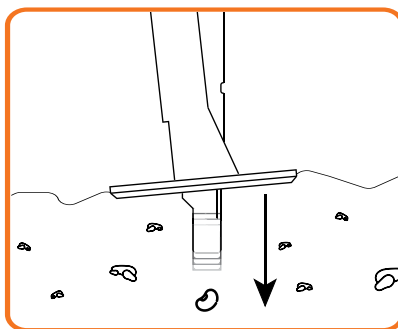


SEED-ON Manual single row planter

1 Push the handle down.

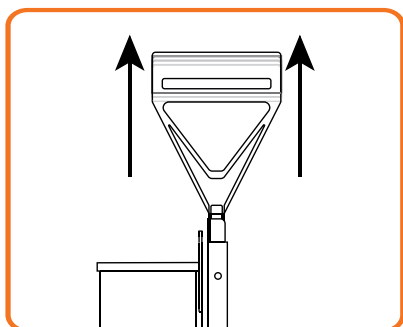


2 The tip penetrates the ground, releasing the seed.

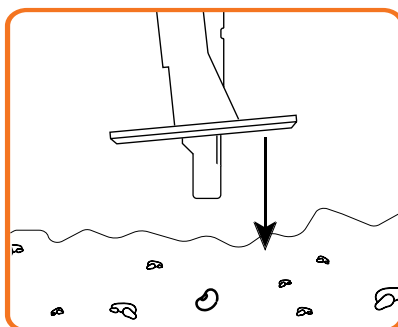


Ergonomic handle

3 Raise the handle to extract the tip.





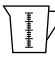
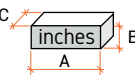
4 Place the seeder where you to put the next seed. Repeat!



Seed plate

Seed tank



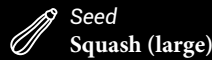
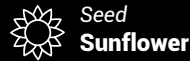
CODE	 n°	 lbs	 oz.	 inches		
				A	B	C
22500001	1	4,2	27	9	34	6

KINDS OF SEEDING

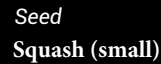
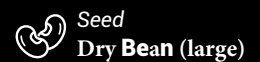
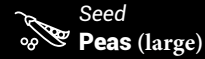
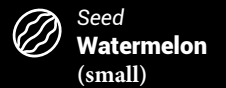
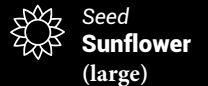
Spokes



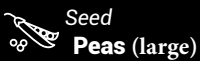
Ø 0,590 inches



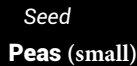
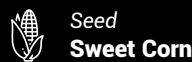
Ø 0,511 inches



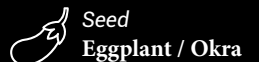
Ø 0,433 inches



Ø 0,314 inches



Ø 0,196 inches



** Also includes 1 "blank" plate **

ZILLI Srl

Via dei Templari 4,
33080 San Quirino (PN) ITALY
Tel. +39 043491053
Fax +39 0434 91414

DEALER

Earth Tools Inc
1525 Kays Branch Road
Owenton, KY 40359 USA
502-484-3988 or 5550
www.earthtools.com
sales@earthtools.com

SCAN ME

